

(No Model.)

2 Sheets—Sheet 1.

W. H. RICHARDSON.
CHILD'S CARRIAGE.

No. 405,600.

Patented June 18, 1889.

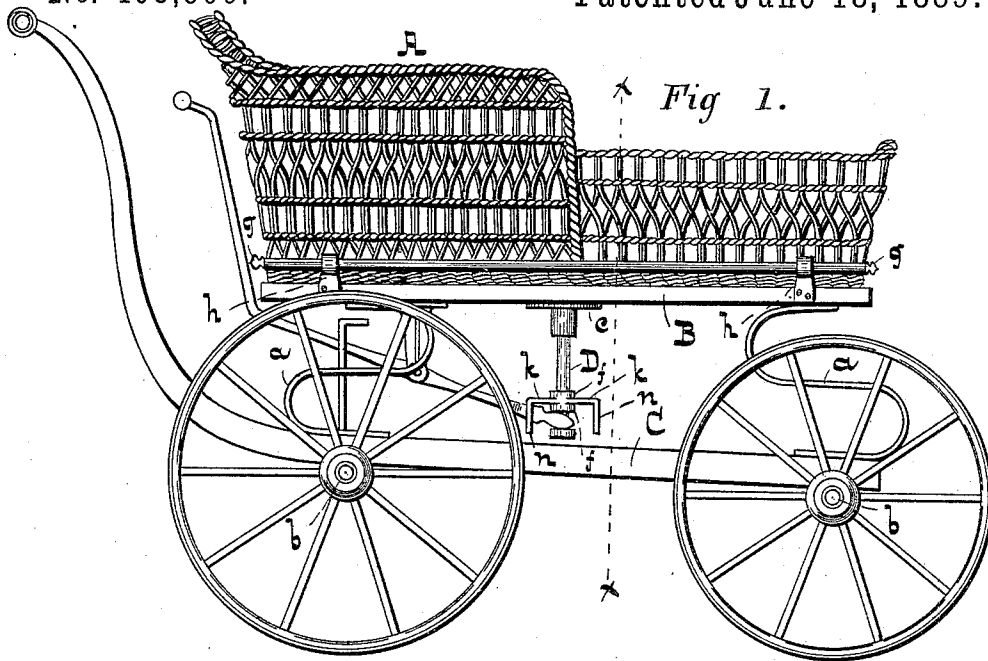
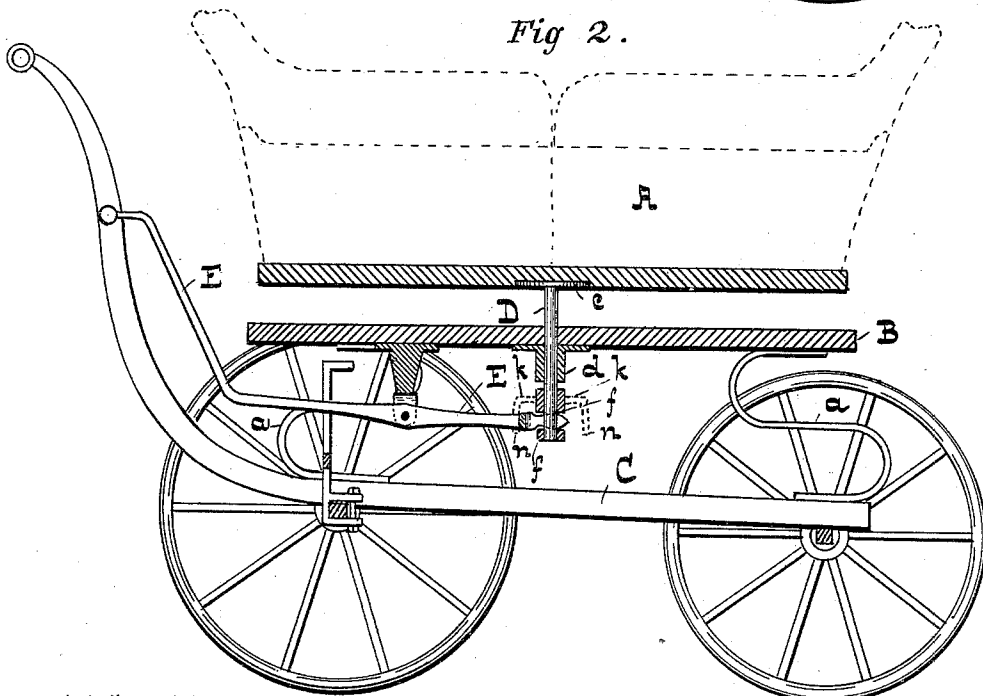


Fig 2.



-WITNESSES-

David Fisher
Klauson Smith

-INVENTOR-

William H. Richardson,
by G. W. Howard
Atty.

(No Model.)

2 Sheets—Sheet 2.

W. H. RICHARDSON.
CHILD'S CARRIAGE.

No. 405,600.

Patented June 18, 1889.

Fig 3.

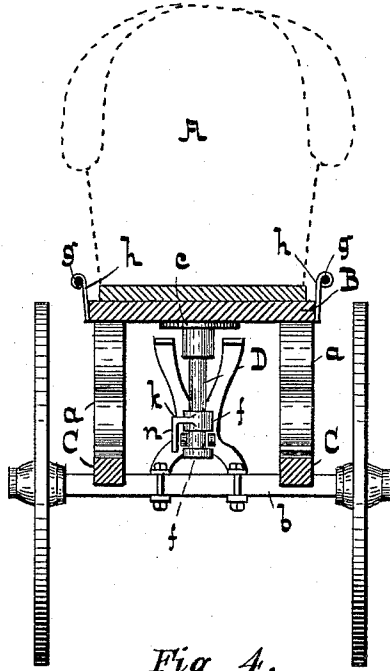


Fig 4.

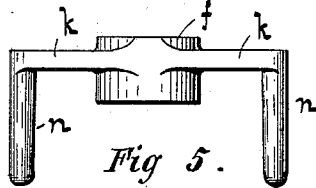
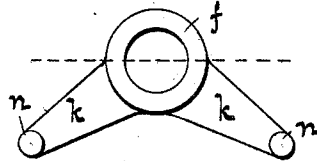


Fig 5.



-WITNESSES-

David Fisher
Richardson Smith

-INVENTOR-

William H. Richardson
By Wm. T. Howard,
Atty.

UNITED STATES PATENT OFFICE.

WILLIAM H. RICHARDSON, OF BALTIMORE, MARYLAND, ASSIGNOR OF TWO-THIRDS TO JOHN M. McCLINTOCK AND HENRY T. MELONEY, OF SAME PLACE.

CHILD'S CARRIAGE.

SPECIFICATION forming part of Letters Patent No. 405,600, dated June 18, 1889.

Application filed December 27, 1888. Serial No. 294,788. (No model.)

To all whom it may concern:

Be it known that I, WILLIAM H. RICHARDSON, of the city of Baltimore and State of Maryland, have invented certain Improvements in Children's Carriages, of which the following is a specification.

This invention relates to certain improvements in that class of children's carriages in which the body is reversible in position with reference to the running-gear; and it consists in certain improvements in the invention described in my application dated November 12, 1888, and bearing the Serial No. 290,547, as will hereinafter fully appear.

In the invention described in the said application the body of the carriage, when elevated, may be rotated or turned entirely around on its axial king-bolt, and it is possible that in the hands of a careless and incompetent nurse the rotation of the body could be indulged in to such an extent as to prove detrimental to the child.

The object of the present invention is therefore to prevent the complete rotation of the body by providing some part of the moving mechanism with a stop, as hereinafter described.

In the further description of the said invention which follows reference is made to the accompanying drawings, forming a part hereof, and in which—

Figure 1 is an exterior side view of the improved carriage, and Fig. 2 a sectional side view of the same. Fig. 3 is a cross-section of Fig. 1, taken on the dotted line *x x*. Figs. 4 and 5 are enlarged details of certain parts of the invention.

Similar letters of reference indicate similar parts in all the figures.

In the said drawings, A is the body of the carriage, which is represented as formed of wicker-work with a solid bottom. The body A is seated on a tray B, supported by the springs *a* from the side bars C, to which the axles *b* are attached.

D is a king-bolt, having a plate *c* at its upper end secured to the bottom of the body, as shown in Fig. 2. This king-bolt passes loosely through a socket *d* in the bottom of the tray and is connected at its lower end with the

short arm of a lever E. The end of the long arm of the lever E is within convenient reach of the attendant or person pushing the carriage. By means of this lever the body of the carriage may be elevated out of the tray, as shown in Fig. 2, and then turned around, so as to bring either the face or back of the child toward or next to the nurse. The reversed positions of the body are indicated by dotted lines in Fig. 2.

In the drawings, the stand G, which forms the fulcrum of the lever E, is attached to the bottom of the tray; but it is evident that the said lever could be fulcrumed from the side bars C or the axles.

To compensate for the vibration of the lever E as the body is elevated, I fork the end of the lever and round the parts which come in contact with the collars *f* on the king-bolt.

In the present invention the tray B is only provided with sides to hold the body in place, and the said sides are formed of rods *g*, supported from the bottom by means of suitable brackets *h*, which are flared outwardly to facilitate the seating of the body.

To limit the movement of the body to a half-revolution, for the purpose described, I secure to the upper collar *f* the arms *k*, having the studs *n*. As the body is brought into either of its proper positions, one of the said studs strikes against the side of the lever E, and further movement in the same direction is prevented.

To allow for the thickness of the lever E, it is necessary to place the studs *n* at more than ninety degrees apart, or each as far from a diametrical line as half the thickness of the part of the lever E with which they come in contact. This arrangement of the studs is shown in Fig. 5, which is an under side view of the upper collar *f* and its arms and studs.

I do not limit myself to the devices shown for preventing a full revolution of the body of the carriage when it is elevated above the raised edges of the tray, as it is evident that other means could be employed for the purpose, my invention extending to a stop which is operative to prevent the rotation of the body when in an elevated position.

I therefore claim as my invention—

1. In a child's carriage, the body thereof susceptible of a vertical movement from its foundation, and a rotative motion when in an elevated position, combined with a stop to limit the said rotative motion to less than a full revolution, substantially as and for the purpose specified.
2. In a child's carriage, a platform or tray supported from the running-gear, a body pivoted to the said tray and adapted for elevation within the said tray, combined with a stop to limit its rotation or rotative movement, substantially as and for the purpose specified.
3. The bolt D, having the arms *k*, with the studs *n*, combined with the elevating-lever E, substantially as and for the purpose specified.
4. The bolt D, having the arms *k*, with the studs *n*, the said studs being removed from a diametrical line, combined with the elevating-lever E, substantially as and for the purpose specified.
5. In a child's carriage, the body thereof adapted for elevation within a tray provided with sides formed of rods, and brackets to unite the said rods with the bottom of the said tray, substantially as and for the purpose specified.

WILLIAM H. RICHARDSON.

Witnesses:

WM. S. HOWARD,
JNO. T. MADDOX.