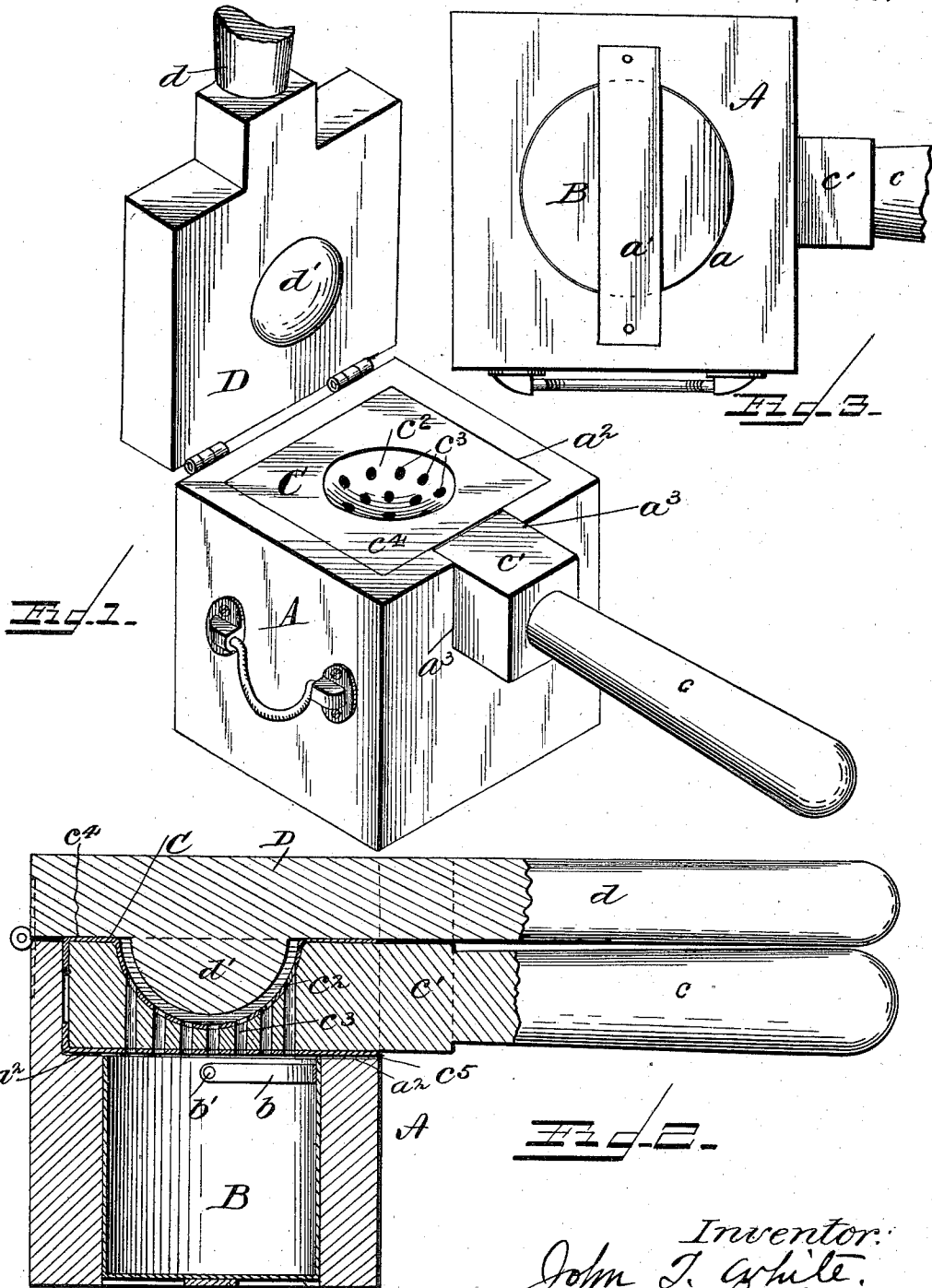


(No Model.)

J. T. WHITE.
LEMON SQUEEZER.

No. 572,849.

Patented Dec. 8, 1896.



Witnesses: d' a
J. L. Ourand
George Weber.

Inventor:
John T. White.
Jon W. Singleton,
Attorney.

UNITED STATES PATENT OFFICE.

JOHN T. WHITE, OF NEW YORK, N. Y.

LEMON-SQUEEZER.

SPECIFICATION forming part of Letters Patent No. 572,849, dated December 8, 1896.

Application filed March 21, 1896. Serial No. 584,222. (No model.)

To all whom it may concern:

Be it known that I, JOHN T. WHITE, a citizen of the United States of America, residing at 234 West Fourteenth street, New York city, in the county of New York and State of New York, have invented certain new and useful Improvements in Lemon-Squeezers; and I do hereby declare the following to be a full, clear, and exact description of the invention, such as will enable others skilled in the art to which it appertains to make and use the same.

This invention relates to improvements in lemon-squeezers; and it consists in the construction hereinafter set forth and claimed.

In the annexed drawings, Figure 1 is a perspective view of the device opened. Fig. 2 is a transverse section. Fig. 3 is a bottom view.

In the drawings the letter A represents a holder of any convenient size and shape, having the bore *a*. Under the bottom of the holder, crossing the bore *a*, is a strip *a'*. At the top and around the bore *a* the holder has a rabbet or seat *a²* and at one side a notch *a³*, leading from the seat *a²* to the outside. Within the bore *a'* is placed a removable receptacle B, having a handle *b*, which is hinged at *b'* to the receptacle, so it may be turned down, as shown in Fig. 2. This receptacle B, when put in the holder, rests upon the strip *a'* and is flush with the top of the bore *a*. Fitting the seat *a²* is the lower jaw C of the squeezer. This jaw has the handle *C'* and also an angular neck *c'*, which fits the notch *a³*. This lower jaw C is removable from the seat *a²*. In the middle of the jaw C is a depression *c²*, and perforations *c³* pass through the jaw from the depression to the under side of the jaw. Hinged to one edge of the holder A is the up-

per jaw D, having the handle *d* and a projection *d'*, corresponding to the depression *c²*. The two jaws are so arranged that the handles *C'* and *d* come together. If desired, the jaw C may be sheathed with metal on top and bottom, as shown at *c⁴* *c⁵*.

With such a device the lemons, after being halved, are squeezed between the projection *d'* and depression *c²*, the juice passing through the holes *c³* and being caught in the receptacle B. After the lemons are squeezed the lower jaw is lifted from the holder and the receptacle withdrawn by pulling on the handle *b*.

Having described my invention, what I claim is—

1. The combination of the holder, A, having the bore, *a*, and the rabbet, *a²*, at the top and around this bore; the upper jaw, D, hinged to the holder and having the handle, *d*; and the removable lower jaw, C, provided with the perforations, *c³*, fitting into the rabbet, *a²*, and having the handle, *C'*, with the removable receptacle, B, placed within the bore, *a*, as set forth.

2. The combination of the holder, A, having bore, *a*, the rabbet, *a²*, at the top and around this bore and the notch, *a³*; the upper jaw, D, hinged to the holder and having the handle, *d*, with the removable jaw, C, fitting into the rabbet, and having the angular neck, *c'*, fitting the notch, *a³*, and the handle, *C'*, as set forth.

In testimony whereof I affix my signature in presence of two witnesses.

JOHN T. WHITE.

Witnesses:

PETER VANDERBURG,
D. SULLIVAN.