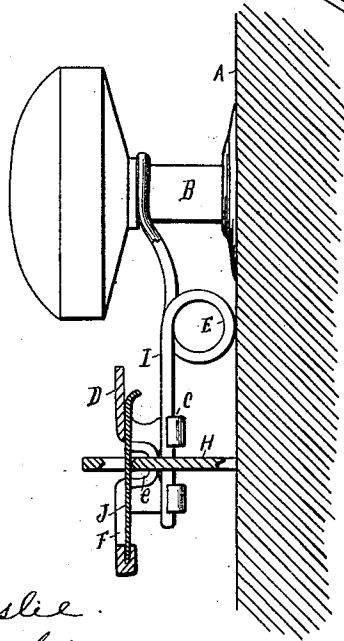
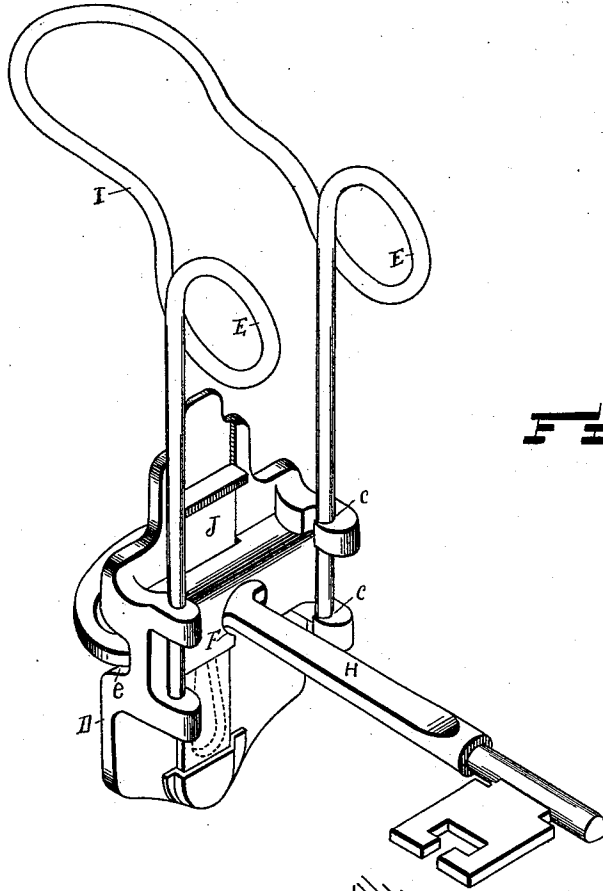


(No Model.)

F. J. LOUDIN.
KEY FASTENER.

No. 512,308.

Patented Jan. 9, 1894.



WITNESSES

Newton C. Leslie
William Fenchbourn

INVENTOR

Frederick J. Loudin
By Lucius C. West
atty

UNITED STATES PATENT OFFICE.

FREDRICK J. LOUDIN, OF RAVENNA, OHIO.

KEY-FASTENER.

SPECIFICATION forming part of Letters Patent No. 512,308, dated January 9, 1894.

Application filed February 23, 1893. Serial No. 463,359. (No model.)

To all whom it may concern:

Be it known that I, FREDRICK J. LOUDIN, a citizen of the United States, residing at Ravenna, county of Portage, State of Ohio, have
5 invented a new and useful Key-Fastener, of which the following is a specification.

This invention relates to key-fasteners which are attached to the knob-shaft or door-handle above the key-hole and engage with
10 the eyed-end of the key to keep it from being turned in the lock.

The object of the invention is to provide a spring-actuated plate with an open recess to received the eyed-end of the key, and to suspend said plate from the door-handle by a
15 spring in a manner that the plate may be carried toward the door against a spring resistance, when inserting the key through it and into the lock, whereby the tendency of the
20 plate to spring back establishes and preserves an engagement of the eyed-end of the key with the plate-recess.

Another object is to lock the eyed-end of the key in the recess of the plate, by means
25 of a slide having vertical bearings in said plate, and also to cover the key-hole in the plate with said slide.

In the drawings forming a part of this specification, Figure 1 is a perspective view, showing the key in connection with the fastener; and Fig. 2 is an elevation, showing the door, and parts of the key and fastener, in vertical
30 section.

Referring to the lettered parts of the drawings, A represents the door, and B the knob-shaft above the key-hole. The plate, D, has an open recess, *e*, in the front face and transversely thereto, and open eyes, *c*, at each side on the back face, and also a central key-hole,
40 F, leading from the open recess, *e*, through the plate, a portion of which key-hole is indicated by dotted lines in Fig. 1. This plate, D, is suspended from the shaft, B, by an elastic metal wire, bent upon itself to form a loop
45 at the top, which is placed on the shaft B. Below this loop the wire is formed into spirals, E, which rest against the door, and from

thence extends downward, terminating in two free ends which are detachably caught in the open eyes, *c*, of the plate, D, thus constituting
50 a spring, I, which suspends the plate.

At J is a slide, which has vertical bearings in the plate D. This slide passes down through the eyed-end of the key, thus locking the eyed-end of the key in said recess, so that the plate
55 cannot be drawn toward the door to disengage said eyed-end of the key from the recess, which otherwise might be done by a burglar from the outside of the door with some suitable implement, inserted through the key-hole
60 and caught onto the plate. It will be observed that this slide also covers the key-hole in the plate D, making it impossible to see through the key-hole from the outside.

In the operation, the spring, I, is detached
65 from the open eyes, *c*, of the plate D, then placed over the knob-shaft and again attached to the plate D. The key, H, is then inserted through the hole, F, in the plate and said plate is borne toward the door against a
70 spring resistance, until the door is locked, at which time said plate is released, when the reaction of the spring carries the plate back until the open recess, *e*, receives the eyed-end of the key, the shoulders of said recess preventing any possibility of the key being
75 turned in the lock from the outside.

Having thus described my invention, what I claim as new, and desire to secure by Letters Patent of the United States, is—
80

1. A key-fastener comprising a plate having the recess in the front face and a spring for suspending the plate from the knob-shaft or door-handle; substantially as set forth.

2. A key-fastener comprising a spring for
85 attachment to the knob-shaft or door-handle, a plate provided with the front recess and the rear open eyes for detachable attachment with the ends of said spring; substantially as set forth.

3. A key-fastener comprising a plate having the recess in the front face, and a key-hole leading from said recess through the
90 plate, a slide adapted to pass down through

the eyed-end of the key, and a spring for suspending said plate from the knob-shaft or door-handle; substantially as set forth.

4. The combination of a knob-shaft or door-
5 handle, a key, a spring-actuated plate suspended from said knob-shaft or door-handle, said plate being provided with the recess and key-hole, whereby the plate is carried toward the door, in the act of locking, against a spring
10 resistance, and the reaction thereof causing

and preserving an engagement of the recess with the eyed-end of the key; substantially as set forth.

In testimony to the foregoing I have here-
unto subscribed my name in the presence of 15
two witnesses.

FREDRICK J. LOUDIN.

Witnesses:

C. A. MYERS,

W. E. GOODRICH.