

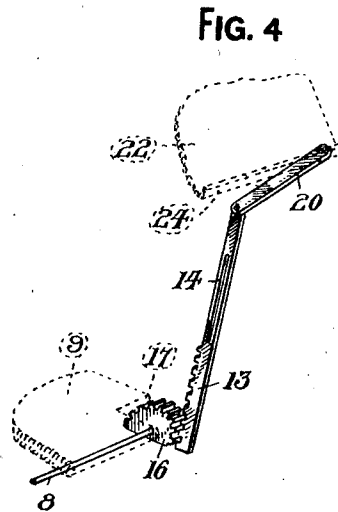
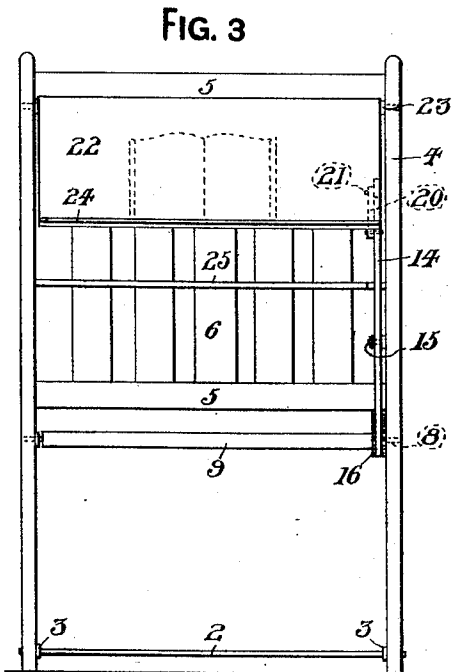
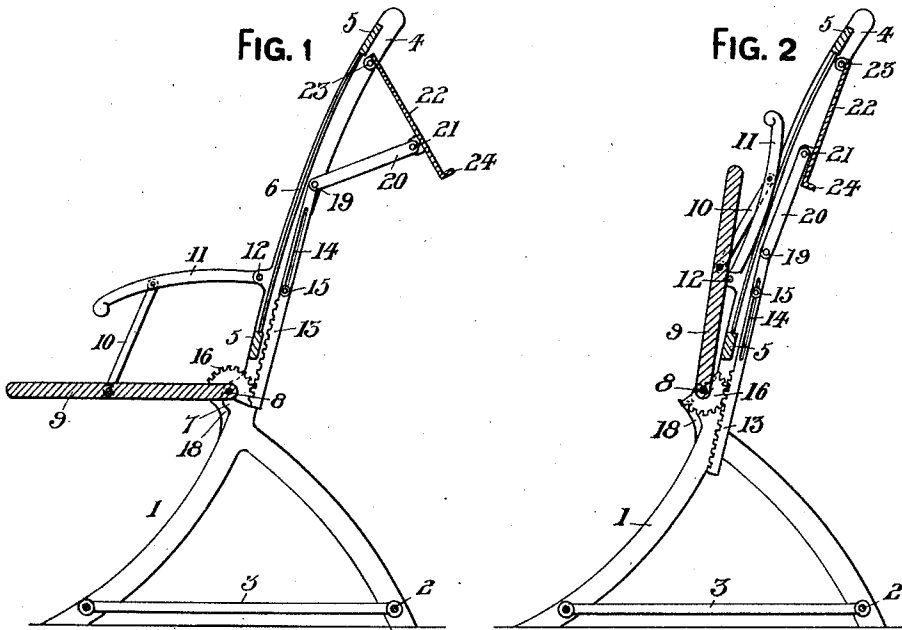
N. ALEXANDER.

CHAIR.

APPLICATION FILED MAR. 10, 1911.

997,108.

Patented July 4, 1911.



WITNESSES:

J. P. Appelman,
R. S. Butler

INVENTOR.
N. ALEXANDER

BY *H. C. Everett Co.*
ATTORNEYS

UNITED STATES PATENT OFFICE.

NATHANIEL ALEXANDER, OF LYNCHBURG, VIRGINIA.

CHAIR.

997,108.

Specification of Letters Patent.

Patented July 4, 1911.

Application filed March 10, 1911. Serial No. 613,514.

To all whom it may concern:

Be it known that I, NATHANIEL ALEXANDER, a citizen of the United States of America, residing at Lynchburg, in the county of Campbell and State of Virginia, have invented certain new and useful Improvements in Chairs, of which the following is a specification, reference being had therein to the accompanying drawing.

This invention relates to chairs particularly designed for churches, Sunday schools, auditoriums and places where considerable singing is done, the chairs being advantageously used by choirs and singing societies.

The purpose of my invention is to furnish a chair with a book rest or support that will be immediately placed in position when the seat of the chair is lowered, the rest or support otherwise being compactly held upon the back of the chair whereby it will not interfere with persons passing back and forth between the chairs.

Another purpose of the invention is to provide a folding chair with a book holder and rest that are simple in construction, durable, neat in appearance and inexpensive to manufacture.

I attain the above objects by a mechanical construction that will be hereinafter specifically described and then claimed, and reference will now be had to the drawing, wherein like numerals of reference designate corresponding parts throughout the several views, in which:—

Figure 1 is a vertical sectional view of the chair in an open position, Fig. 2 is a similar view of the chair in a closed position. Fig. 3 is a rear elevation of the chair, and Fig. 4 is a perspective view of a portion of the actuating mechanism of the chair.

Reference numerals 1 denote the legs of a chair connected by rounds 2 and longitudinal rounds 3. The legs 1 have integral back frames 4 connected by transverse bars 5 and these bars are connected by slats 6. The lower ends of the frames 4 are provided with apertured bearings 7 and pivotally mounted between said bearings by a trans-

verse rod 8 is the rear edge of a seat 9. The sides of the seat 9 are pivotally connected by links 10 to arms 11 pivotally connected to apertured lugs 12, carried by the frames 4. Slidably mounted upon the inner side of one of the frames 4 is a rack 13 having a longitudinal slot 14. Extending through this slot is a pin 15, carried by the frame 4 and adapted to retain the rack in engagement with said frame. The lower end of the rack 13 meshes with a sector gear 16 mounted upon the pivot rod 8 and to provide clearance for this gear the seat 9 is cut away, as at 17. A downward movement of the seat 9 is limited by stops 18 carried thereby and adapted to engage the legs 1.

The upper end of the rack 13 is pivotally connected, as at 19 to a link 20 and this link is pivotally connected to an apertured lug 21, carried by the end of a book rest 22 pivotally connected, as at 23 to the inner sides of the frames 4 adjacent to the upper ends thereof. The lower edge of the book rest has a ledge 24 to prevent books from sliding off of the rest.

A rod 25 can be arranged between the frames 4 to support books against the back of the chair.

When the seat 9 is raised the book rest is folded through the medium of the gear 16 and the rack 13, this operation being the reverse when the seat is lowered.

While in the drawing there is illustrated a preferred embodiment of the invention, it is to be understood that the structural elements thereof are susceptible to such changes, as in the size, shape and manner of assemblage without departing from the scope of the invention.

What I claim is:—

A chair comprising legs, back frames carried thereby, a book rest pivotally-mounted between the upper ends of said frames, a sliding rack, a pin and slot connection between said rack and the inner side of one of said frames, a link pivotally connecting the upper end of said rack to said book rest, a seat, a rod for pivotally-connecting the

seat to the lower ends of said frames, a sector gear carried by said rod and engaging with said rack and adapted on the opening and closing movement of the seat to shift
5 said rack and open and close said book rest, and said seat provided with a clearance for the operation of said sector.

In testimony whereof I affix my signature in the presence of two witnesses.

NATHANIEL ALEXANDER.

Witnesses:

C. A. LINDSEY,
JAMES R. L. DIGGS.

Copies of this patent may be obtained for five cents each, by addressing the "Commissioner of Patents, Washington, D. C."
